

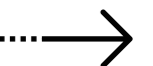
Frostronics



24 Inches Wide Outdoor Under Counter Refrigerator

BCD150-24DR

PLEASE LEAVE THE REFRIGERATOR STANDING UPRIGHT FOR 24 HOURS PRIOR TO PLUG IN



Content

| | |
|--|----------|
| Important Safety Information | ----- 1 |
| Warning | ----- 2 |
| Attentions | ----- 3 |
| Technical and Dimensional Specifications | ----- 4 |
| Contents In the Package | ----- 4 |
| Parts Identification | ----- 5 |
| Refrigerator Installation | ----- 6 |
| -- How to Install the Anti-Tip Brackets | ----- 7 |
| -- How to Install the Door Handle | ----- 8 |
| Control Panel | ----- 9 |
| Door Lock | ----- 11 |
| Cleaning and Maintenance | ----- 11 |
| Energy Saving Tips | ----- 11 |
| Loading the Refrigerator | ----- 11 |
| Long Term Storage | ----- 11 |
| Trouble Shooting | ----- 12 |
| Product Limited Warranty | ----- 13 |

Congratulations on your purchase of Frostronics™ 24 Inches Under Counter Refrigerator. Our unique combination of style and functionality makes it a great addition to your home. Your new refrigerator is designed and built under the highest quality standard, we are confident that it will demonstrate first class performance and keep your stuffs polar cold all day, every day.

For your safety and to familiarize yourself with the functionalities of your new refrigerator, please read this user's manual carefully before use, and store it in an accessible place where the user(s) of this refrigerator can easily find it.

Valuable customer feedbacks help us continuously improve our products and services. For more product information, FAQ, troubleshooting, and customer support, please contact us by email at dtc_cs@frostronics.com. We are just one email away to assist all your needs and ensure your 100% satisfaction.

Disclaimer:

The brand owner of Frostronics™, Frostronics Refrigeration Tech Inc. reserves the right to make changes without further notice to any products or product specifications to improve reliability, function, or design.

Important Safety Information

Improper handling can cause serious and/or unrepairable damage to you and/or your Frostronics™ 24 Inches Under Counter Refrigerator. Please read all instructions **BEFORE** using this refrigerator to ensure safe and correct use of your refrigerator, to reduce the risk of fire, electric shock, or injury, and to use it only for its intended purpose as described in this user's manual.

Always exercise safety precautions, as described below. The safety precautions are divided into **WARNINGS** and **ATTENTIONS**. Cases where improper handling of the refrigerator could lead to death or serious injury are listed under the **WARNING** heading. However, the cases listed under **ATTENTION** could also lead to serious results. To ensure safety, adhere strictly to both types of safety precautions.

⚠ WARNING



FLAMMABLE REFRIGERANT USED

To avoid the risk of fire and/or explosion, please take extra care when handling, moving, and using your Frostronics™ 24 Inches Under Counter Refrigerator and avoid damaging the refrigerant tubing and the cooling system.



To eliminate the risk of tip over, please secure your refrigerator by installing the anti-tip device when the refrigerator is freestanding.

⚠ WARNING

Proper Disposal of
Your Old Refrigerator

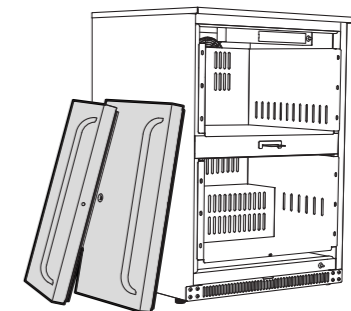
SUFFOCATION HAZARD

Remove door(s) from your refrigerator before disposal, failure to do so can result in brain damage or death for those who are trapped inside.

IMPORTANT:

Child entrapment and suffocation are not problems of the past. Packaging materials and junked or abandoned refrigerators are still dangerous, even if they will sit for "just a few days". If you are getting rid of your old refrigerator, please follow these instructions to help prevent accidents.

Before You Throw Away
Your Old Refrigerator



1. Take off ALL the doors.
2. Leave the drawer in place so that children may not easily climb inside.

⚠ WARNING

Important Information to Know About Disposal of Refrigerants:

Dispose of refrigerator in accordance with Federal and Local regulations. R600a Refrigerants must be evacuated by a licensed, EPA certified refrigerant technician in accordance with established procedures.

Warning

1. The voltage of your power source must correspond to that of your Frostronics™ under counter refrigerator (AC 115V / 60Hz). Connecting to the power source with incorrect voltage may cause unrepairable damage to the refrigerator, and the warranty of the refrigerator will be void. Please check the voltage of your power source each time BEFORE plugging in your Frostronics™ under counter refrigerator. DO NOT exceed the rating of your electrical outlet.
2. If your electrical outlet is connected to a circuit with fuse or circuit breaker, the fuse or circuit breaker should be at least 1.6 amperes.
3. Your Frostronics™ under counter refrigerator should be installed in accordance with state and local electrical rules and regulations.
4. Your Frostronics™ under counter refrigerator comes with a 3-prong polarized plug for your protection against possible electric shock hazard, always connect your Frostronics™ under counter refrigerator into a properly grounded 3 prong electrical outlet directly, the pins of the power plug should have good contact with the electrical outlet. UNDER NO CIRCUMSTANCE shall the ground prong to be removed from the plug. NEVER use a 2-prong grounding adapter or electrical outlet.
5. Always connect your Frostronics™ under counter refrigerator to a dedicated, properly grounded electrical outlet. DO NOT connect your refrigerator using an extension cord or multiple-outlet adaptor as this could result in circuit overload, overheating electrical shock and/or fire.
6. DO NOT share the electrical outlet with other electric appliances that are with high power.
7. AVOID disconnecting your Frostronics™ under counter refrigerator from the power source by directly switching off the main power circuit.
8. STOP USING your Frostronics™ under counter refrigerator and contact customer support immediately if damage is found on its plug, power cable or the refrigerator itself. Should repair or servicing is needed, you should have the damaged part repaired by a certified electrician before continuing to use your Frostronics™ under counter refrigerator.
9. DO NOT remove the casing of your Frostronics™ under counter refrigerator unless you are asked to do so by a certified electrician or repair technician.
10. DO NOT block the front vent.
11. DO NOT keep any type of flammable or corrosive chemical substance in your Frostronics™ under counter refrigerator as these substances may cause damage to your refrigerator, fire or explosion.
12. DO NOT plug in or unplug your Frostronics™ under counter refrigerator when your hands are wet.
13. Always unplug your Frostronics™ under counter refrigerator BEFORE cleaning and maintenance. Failure to follow this instruction may result in electrical shock or death.
14. All repairs, disassembly and modifications should be performed only by qualified technicians. Attempting to perform these by yourself could result in fire, malfunction or injury.
15. Do not damage, modify, excessively bend, strain, twist or bundle the power cord as such acts could damage the cord, possibly resulting in electrical shock or fire.
16. Disconnect the power cord plug from the electrical outlet before moving the refrigerator and make sure that the power cord is not damaged during transport. A damaged power cord could result in electrical shock and/or fire.
17. Never allow any person, children or adult, to climb onto your Frostronics™ under counter refrigerator as your refrigerator may tip over or fall under such circumstance, causing material damage or personal injury.

18. Never allow any person, children or adult, to crawl inside your Frostronics™ under counter refrigerator.
19. Never unplug the refrigerator by pulling on the power cord. Always grip the plug firmly and pull straight out from the outlet. Pulling the cord could cause wire breakage, possibly resulting in overheating and fire.
20. Repair or replace any power cord that is damaged. Do not use a power cord that shows cracks or abrasions along its length.
21. DO NOT use abrasive cleaners when you need to clean your Frostronics™ under counter refrigerator, as abrasive cleaners may damage the surface of the components of your refrigerator. In case of cleaning is needed, simply wipe the exterior with a clean, damp cloth and dry thoroughly.
22. DO NOT store gasoline or other flammable vapors or liquid in the vicinity of your Frostronics™ under counter refrigerator.
23. DO NOT double stacking your Frostronics™ under counter refrigerator with other appliance(s) or with another refrigerator.
24. DO NOT open both drawers at the same time to avoid the risk of tip-over.
25. Your Frostronics™ under counter refrigerator is not a toy. It is not intended for use by the underaged, those with reduced physical, mental, or sensory capabilities, or those who lack experience and knowledge that prevents them from safely using household appliances without supervision.
26. Installing the Frostronics™ refrigerator on unstable platforms (e.g. RV, yacht) is NOT recommended.

Attentions

1. Always place your Frostronics™ under counter refrigerator in an upright position on a flat, level surface and provide proper ventilation.
2. DO NOT turn your Frostronics™ under counter refrigerator upside down, on its side, or at an angle off level.
3. Your Frostronics™ under counter refrigerator comes with 2 keys, please keep the keys at away from children.
4. Please empty the items stored in your Frostronics™ under counter refrigerator before moving your refrigerator.
5. Fruits, vegetables, sealed beverages, beer and wine etc. can be kept using your Frostronics™ under counter refrigerator. Since your refrigerator comes with refrigeration compartment only and with no freezer compartment, your Frostronics™ under counter refrigerator is NOT suitable for keeping meat.
6. Beer mode is for keeping beer and other alcoholic beverages and liquors ONLY. For non-alcoholic beverages, please use normal mode, party mode or winter mode and be sure that the temperature is set to above 32°F.
7. The recommended ambient temperature range for your Frostronics™ under counter refrigerator is 60 to 110°F. If you need to keep your refrigerator outdoor during winter, you may switch to winter mode and the temperature compensation program will kick in when necessary. Please also note that the performance of your fridge may be negatively impacted if the ambient temperature is higher than 110°F.

Refrigerator Installation

Dimensions and Clearances

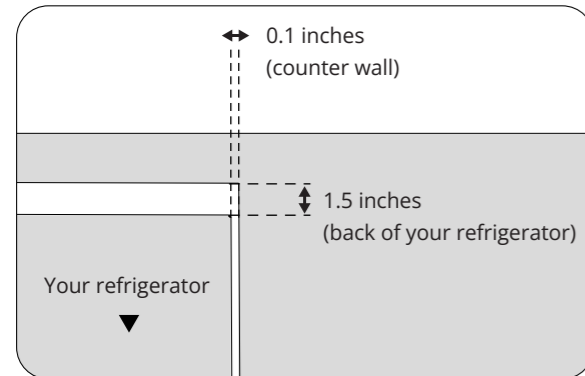
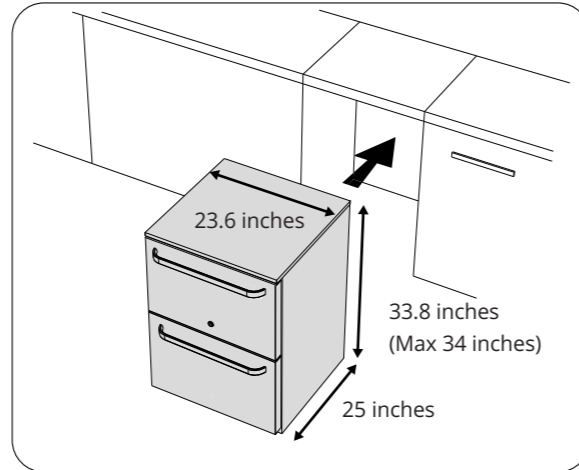
⚠ WARNING

Excessive Weight Hazard

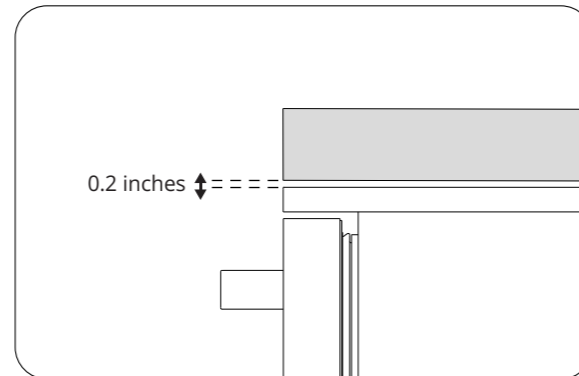
This refrigerator is weighting more than 100lb. Always use two or more people to move and install your refrigerator. Failure to do so can result in back or other injury.

When Moving Your Refrigerator

Always cover your floor with carboard or hardboard to protect your floor from damage when moving your refrigerator for cleaning or servicing, or relocating your refrigerator. DO NOT wiggle or push the refrigerator when trying to move it as floor damage may occur.



When installing your Frostronics™ refrigerator build in or under the counter, we recommend that a clearance space of 0.1 inches to each side, 2 inches to the back and 0.2 inches to the top to be left.



When installing your Frostronics™ refrigerator build in or under the counter, please be sure that the door sealing is align with the edge of the counter top as per shown by the illustration so that the door can be opened freely without being obstructed.

Leveling Your Frostronics™ Under Counter Refrigerator

⚠ WARNING

Excessive Weight Hazard

This refrigerator is weighting more than 100lb. Always use two or more people to hold the refrigerator when leveling. Failure to do so can result in back or other injury.

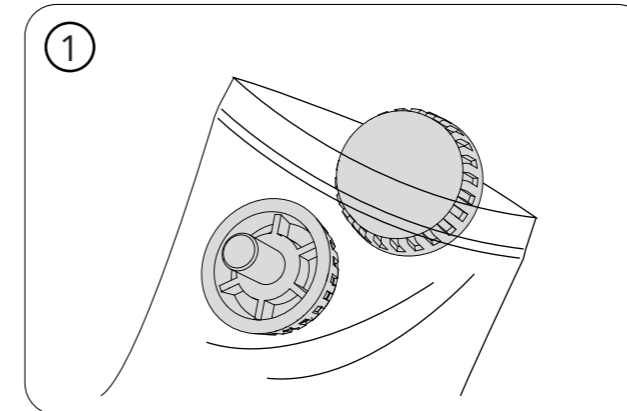
Leveling with Adjustable Feet

Your refrigerator comes with 4 adjustable feet – 2 at the front and 2 at the back. It should be level and steady when all 4 feet are touching the floor. If your refrigerator is unsteady and unlevelled, malfunction of your refrigerator may occur.

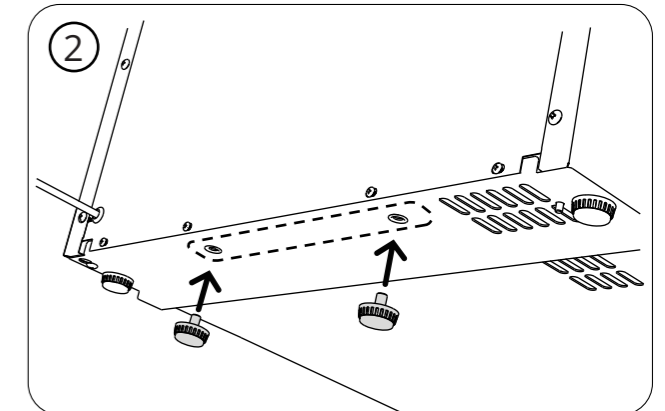
Please follow the steps to Level your refrigerator:

1. Move your refrigerator to the installation location.
2. Have someone to push against the top of the refrigerator and tilt it slightly.
3. Twist and turn the feet counter clockwise to extent or clockwise to retract
4. Use a bubble level to check the leveling of the refrigerator.
5. Repeat step 1 to 4 until your refrigerator is levelled.

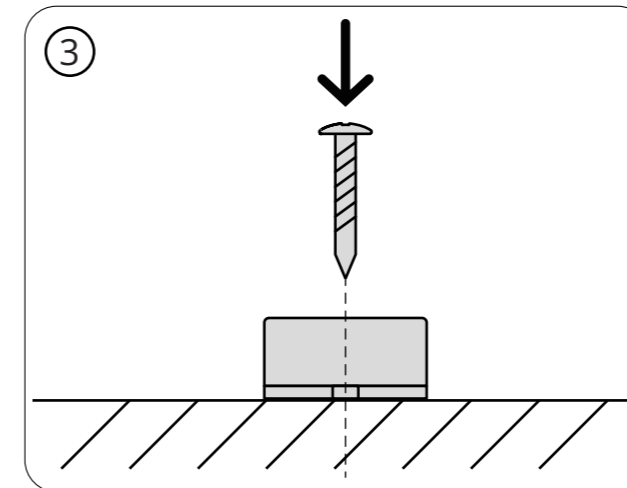
How to Install the Anti-Tip Device



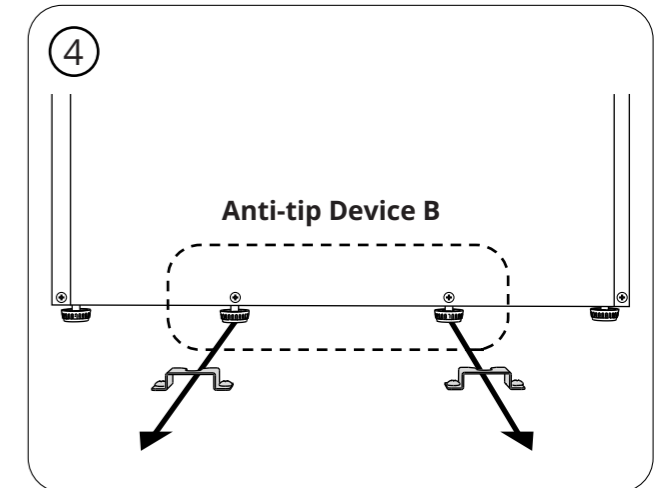
Take out the anti-tip device B from the plastic bag.



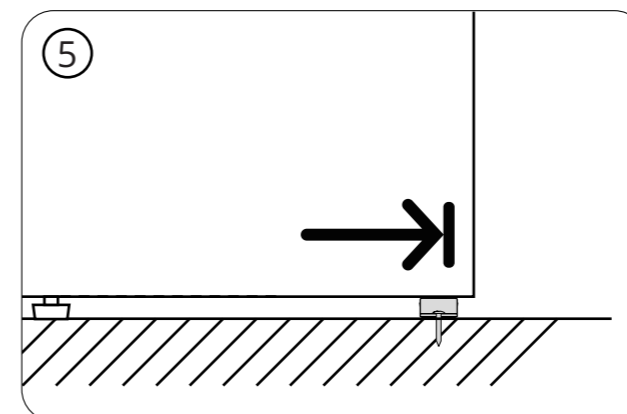
Tilt the refrigerator until you see the installation point of anti-tip device B, then screw-in all the anti-tip device B as per shown by the illustration.



Fix the two anti-tip device A to the ground and secure them with screws.

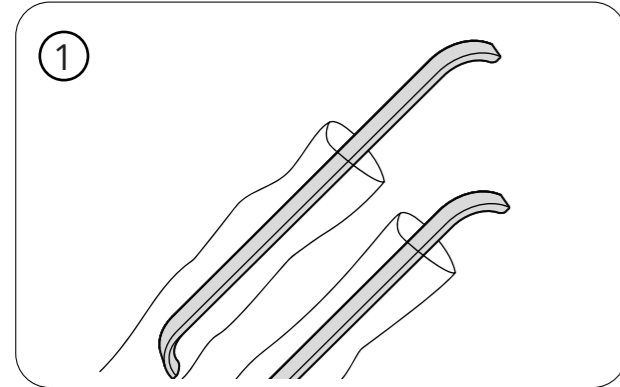


The position of the anti-tip device A shall be corresponding to the position of the anti-tip device B installed on your refrigerator.

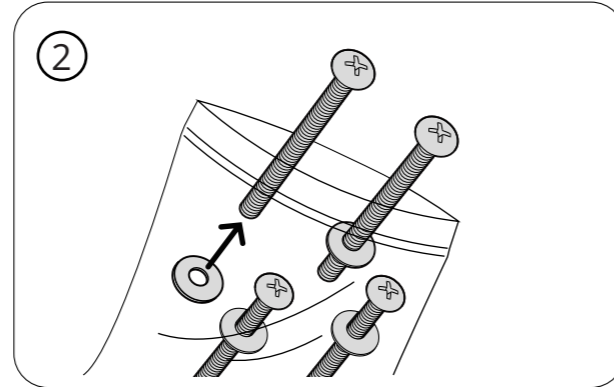


Push your refrigerator all the way in until it reaches the end.

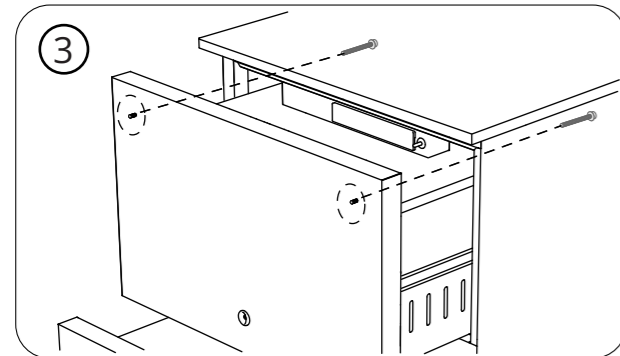
How to Install the Door Handle



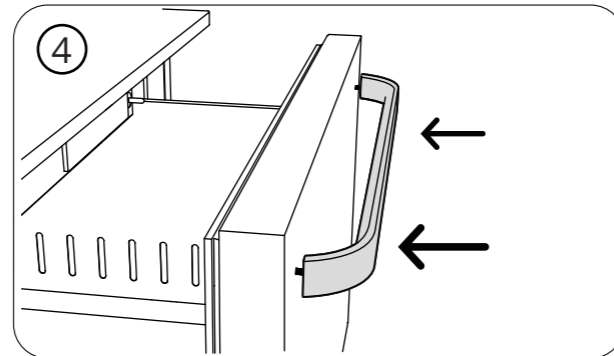
Remove the handle from the packaging.



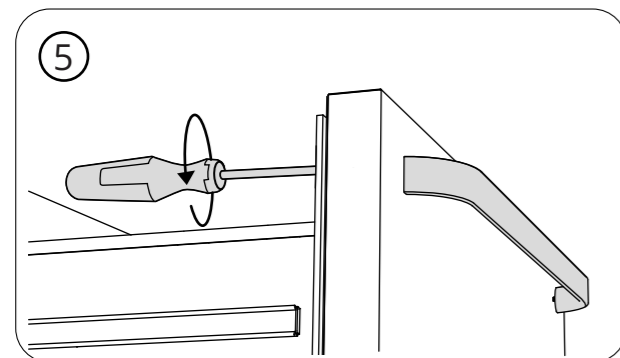
Get the screws from the packaging.



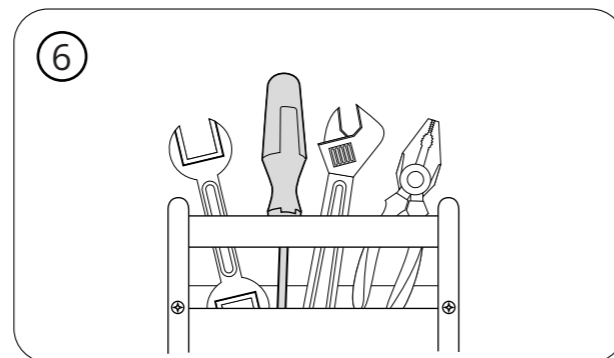
Push all the screws into the screw holes on the door until the screws are sticking out from the other side of the door.



Firmly push the handle toward the screws.

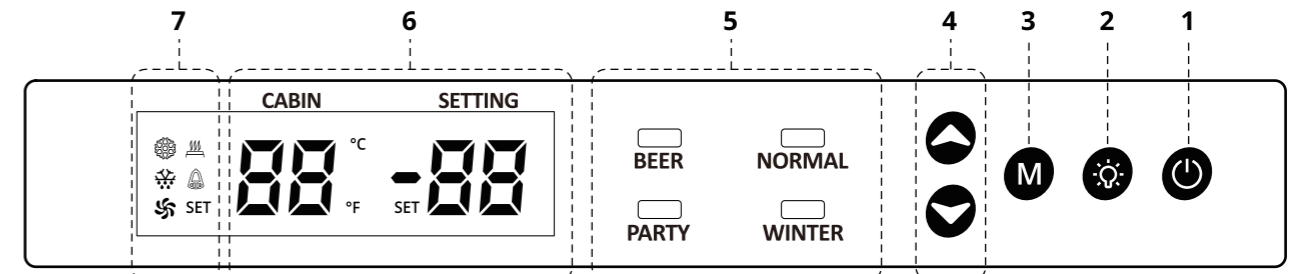


Use the screw driver to tighten the screws attached to the handle.



When all the screws are tightened, put back the screw driver to your tool box.

Control Panel



1 Refrigerator On/Off Button

You can turn on your Frostronics™ under counter refrigerator by pressing the button, or turn off your refrigerator by press and hold the button for 3 seconds.

2 Light On/Off Button

By default, the interior light will light up automatically when the door is open. You can manually turn on or turn off the interior light of your Frostronics™ under counter refrigerator by pressing the button. When the interior light is turned off manually, it will not turn on automatically next time when you open the door. To restore factory setting, please press the button again.

3 Refrigeration Mode Switch Button

You may press and hold for 3 seconds to switch between Fahrenheit and Celsius; Different refrigeration modes can be switched by pressing button. The following modes are available for you to choose:

Normal Mode

When "Normal Mode" is activated, your Frostronics™ under counter refrigerator will work like any other refrigerator, its cooling will stop working each time when your desired temperature is reached, within each 24 hours refrigeration cycle, there will be 2 automatic defrost cycles in between, each would last for 20 mins.

Beer Mode

Your Frostronics™ under counter refrigerator will become a beer froster and the target temperature will be set to 26 degrees Fahrenheit automatically when the "beer mode" is activated. Please note that this mode is suitable for keeping beers or other alcoholic beverages only.
* **Note: Non-alcoholic drinks shall not be kept below 32 degrees Fahrenheit.**

Party Mode

The cooling system of your Frostronics™ under counter refrigerator will be working for 6 hours non-stop when "party mode" is activated, keeping your drinks cold during the whole party. Party mode will be switched to Normal Mode automatically after a Party Mode cycle is done.

WARNING

Party Mode is intended for party only. As the compressor will be working non-stop for 6 hours, please be sure that your refrigerator is fully loaded and not left half empty as the temperature might reach below 26°F and cause your drinks to froze when the refrigerator is not fully loaded.

Winter Mode

"Winter mode" is designed for keeping your stored items safe when the ambient temperature is below 32 degrees Fahrenheit during winter. When this mode is activated, its temperature sensors, heating module and cooling system will work together to regulate the temperature of the refrigeration compartment and ensure that the temperature to be always maintained at your desired level.

* **Note: We recommend that the winter mode should be turned on when the ambient temperature is below 32 degrees Fahrenheit.**

4 Temperature Setting Button

The temperature you desire can be adjusted by pressing and button. The temperature will increase or decrease by 1 degree Fahrenheit for each press of the or button. When setting of desired temperature is completed, you may either press button to confirm your setting, or leave it for 15 seconds and your refrigerator will confirm your temperature setting automatically. Please note that your Frostronics™ under counter refrigerator comes with temperature memory function, when your refrigerator is disconnected from power accidentally, its temperature controller can automatically restore your last temperature setting when the power is back.

5 Refrigeration Mode Display Area

The 4 refrigeration modes are displayed here, and the green LED light underneath the name of each mode will light up when the corresponding mode is activated.

6 Compartment Temperature Display Area

Your desired temperature and the actual temperature of the refrigeration compartment can be found here. The actual temperature will be displayed on the left and your desired temperature will be displayed on the right. The temperature will be displayed as Fahrenheit and set at 32°F by factory default.

Status Display Area

The status of your Frostronics™ under counter refrigerator is displayed here

| Indicator | Status | Description |
|-----------|----------|--|
| | Flashing | Cooling System Activating |
| | On | Cooling System Activated |
| | Off | Cooling System Standby |
| | On | Defrost Cycle Activated – Cooling System Defrosting |
| | Flashing | Defrost Cycle Activated – Drip Tray Defrosting |
| | Off | Defrost Cycle Deactivated |
| | Flashing | Convective Air Circulator Activating |
| | On | Convective Air Circulator Activated |
| | Off | Convective Air Circulator Off |
| | On | Temperature Compensation System On (Winter Mode only) |
| | Off | Temperature Compensation System Off (Winter Mode only) |
| | On | Door Alarm Activated – Door Not Closed Properly |
| | Off | Door Alarm Deactivated – Door Closed Properly |

Automatic Defrost Function

Manually defrosting will no longer be a concern for your Frostronics™ under counter refrigerator. Your refrigerator will automatically defrost with its built-in heater, ensuring your refrigeration system always at its best shape.

You may also manually activate the defrost function when you feel necessary by press and hold the for 3 seconds, to deactivate, press and hold the for 3 seconds again.

WARNING: DO NOT attempt to remove the frost with a sharp object.

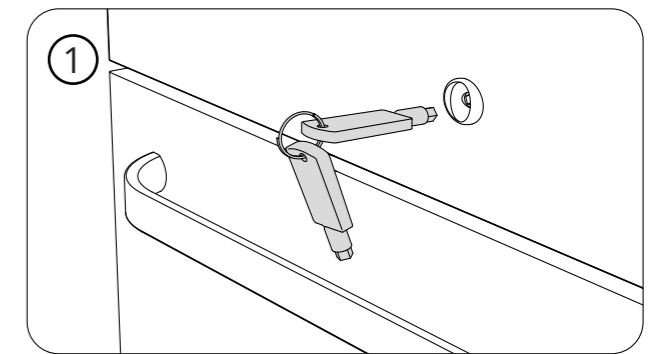
Door Alarm

Your Frostronics™ under counter refrigerator comes with a built-in door alarm to remind you that the door is not closed properly. It will activate for 60 second after the door is not closed properly, and the alarm will stop after you close the door properly.

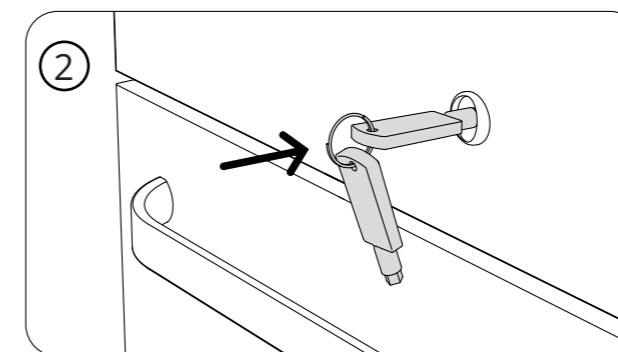
Door Lock

Your Frostronics™ under counter refrigerator comes with a built-in two-step lock and 2 keys by default. The keys can be found inside the plastic bag that contains the user's manual.

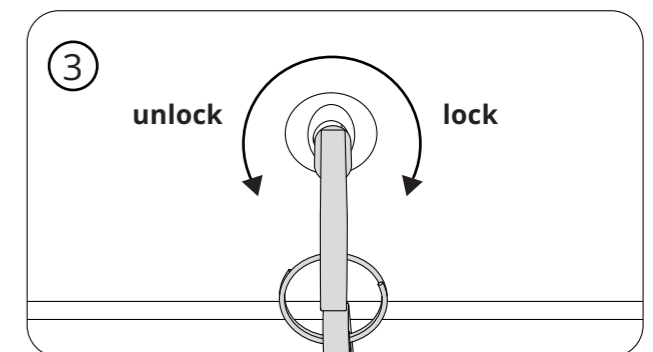
When using the lock, press the key toward the key hole direction and turn clockwise to lock the door or turn counter clockwise to unlock the door. Please make 4 turns (each turn should be at least 180°) to fully lock/unlock the door.



Insert the key into the key hole of the lock.



Push the key towards the door panel.



Turn clockwise or counter clockwise to lock or unlock the door.

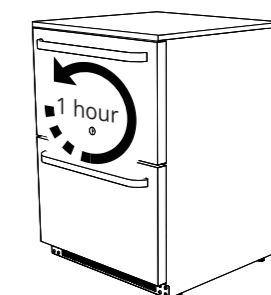
Cleaning and Maintenance

1. Unplug your Frostronics™ under counter refrigerator, remove all the stored items.
2. Removed all the shelves.
3. Wipe the exterior casing and interior compartment of your Frostronics™ under counter refrigerator with a clean, damp cloth and dry thoroughly.
 - DO NOT clean your refrigerator with the following:**
 - a) cleaning agent containing chloride, or unreparable damage to the surface of the stainless steel will occur.
 - b) steel wool pads.
 - c) cleaners that are not specifically intended for cleaning stainless steel.
 - d) abrasive pads such as Scotch-Brite.
4. Put back the shelves.
5. Put back the items you need to store.
6. Plug in your refrigerator again.

Energy Saving Tips

1. Do not keep the door open for longer than necessary.
2. Ensure that your refrigerator is properly ventilated and never block its front vent.
3. When the item is hot, wait till it cool down to room temperature before putting it in your refrigerator.
4. Never overload your refrigerator, overloading it may force the compressor to run longer than usual.
5. Warp the item before putting it in your refrigerator. This can help reducing the moisture and reduce the chance for frost build-up in your refrigerator.

Loading the Refrigerator



Your Frostronics™ under counter refrigerator comes with powerful cooling system that allows it to reach 32°F within 1 hour when the refrigerator is empty. We recommend our users to run plug in their refrigerator, set to 32°F and leave it running for 1 hour BEFORE loading the beverages, liquors and/or daily groceries and adjust to their desired temperature for better cooling result.

Preparing Your Frostronics™ Under Counter Refrigerator for Long Term Storage

If your Frostronics™ under counter refrigerator is expected not to be used for a long time (more than 3 weeks), please remove all the perishable items, and turn off the refrigerator, clean and dry the interior compartment thoroughly to prevent odor and mildew.

Trouble Shooting

| Issue | Possible Cause | Solution |
|--|--|--|
| The refrigerator does not turn on | Disconnected from power source | Connect your refrigerator to a powered, properly grounded 3 prong electrical outlet. |
| | Fuse blown | Replace the fuse. If the problem persists, contact a certified electrician |
| | Circuit breaker tripped | Reset the circuit breaker. If the problem persists, contact a certified electrician |
| The refrigerator is functional but the internal light does not turn on automatically | The light is switched off by the user | Press the button for light on the control panel to turn on the light |
| | The light is burnt | Replace the light |
| Abnormal vibration can be heard | Your refrigerator is not properly leveled | Level your refrigerator with the adjustable feet |
| Too much frost | The door is not closed properly | Check and close the door properly each time after opening |
| | The door sealing is worn out | Change the door sealing |
| The door can't be closed properly | The door swing is reversed and not properly installed | Follow the steps listed on page 8 to check again |
| | The case of the refrigerator is deformed before it reaches you | Contact us by sending an email to dtc_cs@frostronics.com |
| "E1" is shown on the temperature Display | Temperature sensor malfunctioned | Contact us by sending an email to dtc_cs@frostronics.com |

Product Limited Warranty (FOR CONTIGUOUS UNITED STATES AND CANADA ONLY)

To obtain service under this warranty, please contact our Customer Service Department by email to dtc_cs@frostronics.com. We recommend that you contact us by email for a fast, efficient way to complete your product registration with

- 1) the order number of your purchased item
- 2) the model number of your purchased item
- 3) the serial number of your purchased item

By registering, you acknowledge that you have read and understand the instructions for use, and warnings set forth in the accompanying user's manual.

This warranty is available to Frostronics™ Refrigeration products purchased from E-commerce channels (including but not limited to Amazon, Wayfair, Walmart, Costco, etc.) by customers within the Contiguous United State and Canada only.

Except as otherwise required under applicable law, this warranty is NOT available to retailers.

Your Frostronics™ Refrigerator has been manufactured to the strictest specifications and has been designed for use only with authorized accessories and replacement parts. We warrant that, your Frostronics™ Refrigerator, except the refrigeration system, will be free of defects in materials and workmanship under normal use for 12 months from the date of original purchase, and we warrant that the refrigeration system (including condenser, compressor, piping) your Frostronics™ Refrigerator, will be free of defects in materials and workmanship under normal use for 36 months from the date of original purchase.

This warranty expressly excludes any defects or damages caused by accessories, replacement parts, or repair services other than those authorized by Frostronics Refrigeration Tech Inc. This warranty does not cover any damage caused by accident, misuse, shipment, or other than ordinary household use. This warranty excludes all incidental or consequential damages. The liability of Frostronics Refrigeration Tech Inc. if any, for any allegedly defective appliance or part shall in no circumstances exceed the purchase price of a comparable replacement appliance. Some states do not allow the exclusion or limitation of these damages, so these exclusions may not apply to you. You may also have other rights, which vary from state to state.

This Limited Warranty does not cover:

1. Damage resulting from accident, alteration, misuse, abuse, neglect, unreasonable use, use contrary to the operating instructions, normal wear and tear, commercial use, improper assembly, disassembly, failure to provide reasonable and necessary maintenance, fire, flood, acts of God or repair by anyone unless directed by an Instant Brands Representative;
2. Repairs where your appliance is used for other than normal, personal use or when it is used in a manner that is contrary to published user or operator instructions;

3. Use of unauthorized parts and accessories, or repairs to parts and systems resulting from unauthorized repairs or modifications made to this appliance.

Any modification or attempted modification to your appliance may interfere with the safe operation of the appliance and will void this Limited Warranty. This Limited Warranty does not apply in respect of any appliance or any part thereof that has been altered or modified unless such alterations or modifications were expressly authorized by a representative from Frostronics Refrigeration Tech Inc.

Provided that this refrigerator is operated and maintained in accordance with written instructions attached to or furnished with the appliance, Frostronics Refrigeration Tech Inc. will, in its sole and exclusive discretion, either:

- 1) repair/replace defects in materials or workmanship; or
- 2) replace the refrigerator.

If your refrigerator is replaced, the Limited Warranty on the replacement refrigerator will expire 12 months from the date of original consumer purchase.

Your sole and exclusive remedy under this limited warranty shall be appliance repair or replacement as provided herein. Frostronics Refrigeration Tech Inc. shall not be liable for indirect, incidental, or consequential damages arising out of or in connection with the use or performance of the appliance or damages with respect to any economic loss, personal injury, loss of property, loss of revenues or profits, loss of enjoyment or use, costs of removal, installation or other indirect, incidental or consequential damages of any nature or kind.